

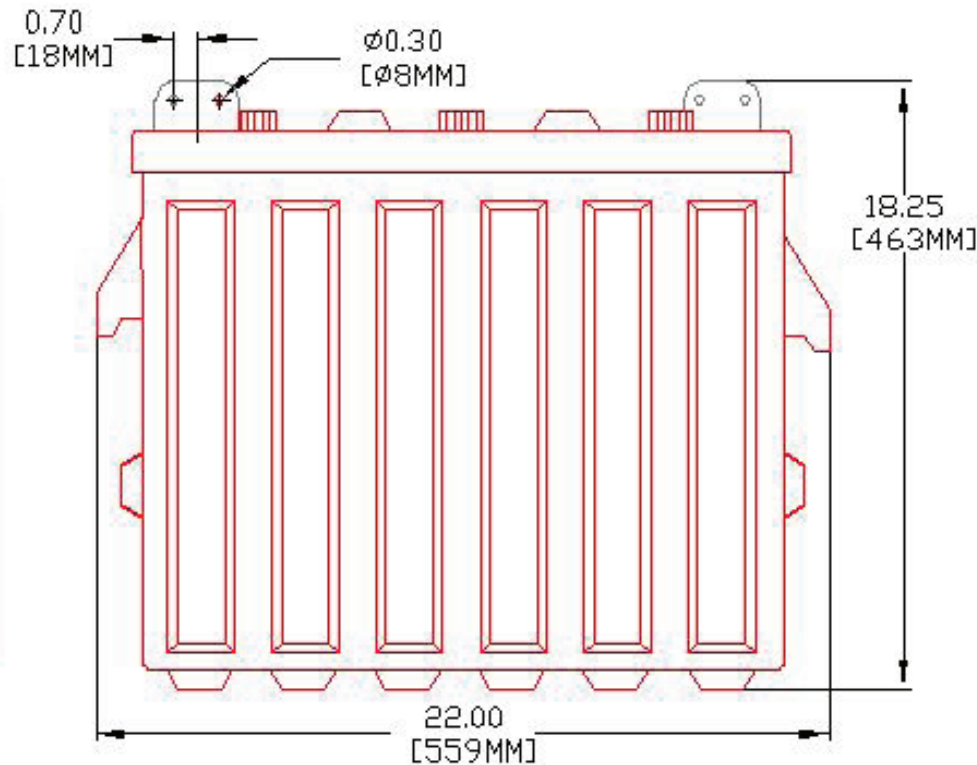
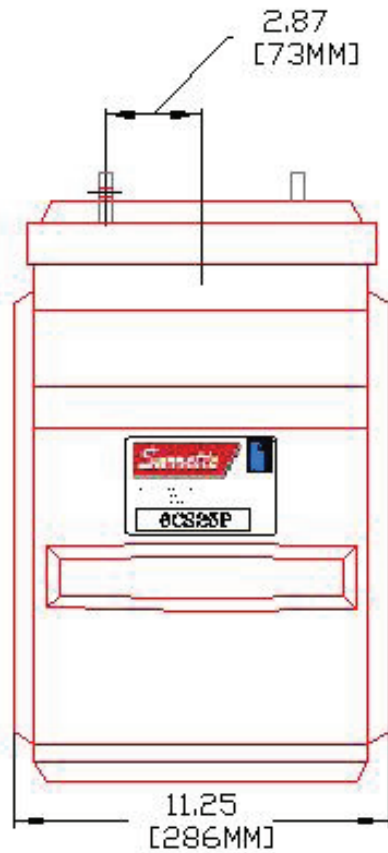
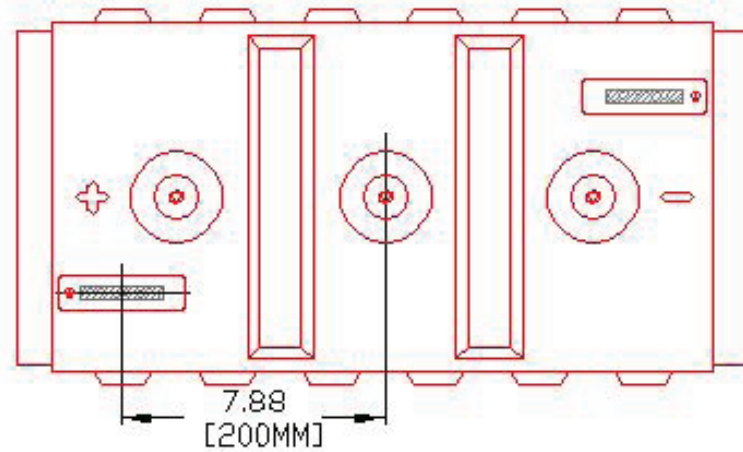


DEEP CYCLE-SOLAR SERIES 5000

| | | | |
|---|---|-----------------|-----------------------|
| BATTERY TYPE | VOLTS | 6 | 6 CS 25PS |
| DIMENSIONS | | | |
| LENGTH | 559 MM | 22 | INCHES |
| WIDTH | 286 MM | 11 1/4 | INCHES |
| HEIGHT | 464 MM | 18 1/4 | INCHES |
| WEIGHT DRY | 115 KG | 254 | LBS. |
| WEIGHT WET | 145 KG | 318 | LBS. |
| CONTAINER CONSTRUCTION | | | |
| INNER CONTAINER | POLYPROPYLENE | | |
| INNER COVER | POLYPROPYLENE - HEAT SEALED TO INNER CONTAINER | | |
| OUTER CONTAINER | HIGH DENSITY POLYETHYLENE | | |
| OUTER COVER | HIGH DENSITY POLYETHYLENE SNAP FIT TO OUTER CONTAINER | | |
| HANDLES | MOLDED | | |
| PLATES PER CELL | 25 | | |
| ELECTROLYTE RESERVE ABOVE PLATES | 95 MM | 3.75 | INCHES |
| DESIGN CRITREA | 10 YEAR WARRANTY | 3300 CYCLES | 15 YEAR LIFE |
| POSITIVE PLATE DIMENSION | | | |
| HEIGHT | 273 MM | 10.750 | INCHES |
| WIDTH | 143 MM | 5.625 | INCHES |
| THICKNESS | 6.60 MM | 0.260 | INCHES |
| NEGATIVE PLATE DIMENSION | | | |
| HEIGHT | 273 MM | 10.750 | INCHES |
| WIDTH | 143 MM | 5.625 | INCHES |
| THICKNESS | 4.57 MM | 0.180 | INCHES |
| SEPARATOR | SEPARATOR THICKNESS | 0.105 INCH | |
| INSULATION | POSITIVE PLATE ENVELOPED BY VERTICAL SLYVER GLASS MAT | | |
| TERMINALS | FLAG WITH STAINLESS STEEL NUTS AND BOLTS | | |
| COLD CRANK | CCA | 0°F / -17.8°C | 2088 |
| | MCA | 32°F / 0°C | 2610 |
| | RESERVE | 1624 | |
| | MINUTES AT 25A | | |
| CAPACITY | 20 HR RATE | 820 | |
| | | CAP / AH | CURRENT / AMPS |
| CAPACITY AT THE 100 HOUR RATE | 1.265 SP. GR. | 1156 | 11.6 |
| CAPACITY AT THE 72 HOUR RATE | 1.265 SP. GR. | 1091 | 15.1 |
| CAPACITY AT THE 50 HOUR RATE | 1.265 SP. GR. | 1009 | 20.2 |
| CAPACITY AT THE 24 HOUR RATE | 1.265 SP. GR. | 853 | 35.5 |
| CAPACITY AT THE 20 HOUR RATE | 1.265 SP. GR. | 820 | 41 |
| CAPACITY AT THE 15 HOUR RATE | 1.265 SP. GR. | 763 | 51 |
| CAPACITY AT THE 12 HOUR RATE | 1.265 SP. GR. | 713 | 59 |
| CAPACITY AT THE 10 HOUR RATE | 1.265 SP. GR. | 681 | 68 |
| CAPACITY AT THE 8 HOUR RATE | 1.265 SP. GR. | 640 | 80 |
| CAPACITY AT THE 6 HOUR RATE | 1.265 SP. GR. | 582 | 97 |
| CAPACITY AT THE 5 HOUR RATE | 1.265 SP. GR. | 549 | 110 |
| CAPACITY AT THE 4 HOUR RATE | 1.265 SP. GR. | 508 | 127 |
| CAPACITY AT THE 3 HOUR RATE | 1.265 SP. GR. | 394 | 131 |
| CAPACITY AT THE 2 HOUR RATE | 1.265 SP. GR. | 394 | 197 |
| CAPACITY AT THE 1 HOUR RATE | 1.265 SP. GR. | 279 | 279 |

CONTACT INFO

Toll Free: 1.866.258.0110
Fax: 1.866.437.5531
E-mail: sales@hespv.com
Web: www.heshomeenergy.com



| | |
|---|---------------------------------|
| PART NUMBER: | 6-CS-25P |
| WEIGHT WET: | 318 LB / 144 KG |
| WEIGHT DRY: | 254 LB / 115 KG |
| CAPACITY: | 820 AH 20 HR 1,156 AH 100 HR |
| VOLTAGE: | 6 V |
| OVERALL DIMENSIONS: | 22 X 11 1/4 X 18 1/4" |
|  MAX HEIGHT WITH OPTIONAL HYDROCAPS: | 18 5/8" - 473 MM |

| | |
|---|---|
|  | |
| BATTERY COMPANY LIMITED SPRINGHILL / NOVA SCOTIA / CANADA PRODUCT OF CANADA | |
| TITLE 6CS25P | |
| DESCRIPTION 6V / 3 CELL 25 PLATE (CS) DEEP CYCLE 500/3000 SERIES | |
| CONTACT INFO: WEB: WWW.SURRETTE.COM E-MAIL: SALES@SURRETTE.COM PHONE: 1-800-681-9914 | |
| SCALE: | 1" = 6" 1" = 4" JPEG 8.5" X 11" 11" X 17" NOT TO SCALE |
| Drawn by: S. WILES | Approved By: D. SURRETTE |
| DATE: 14-JUN-00 | REVISION: 2.1 |
| DRAWING NO: DWG 007, BD6CS25P | |