

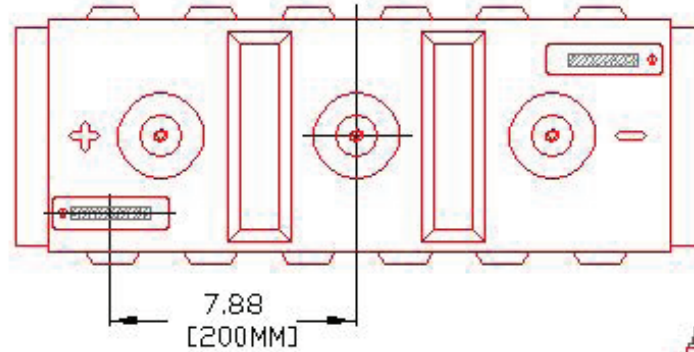


## DEEP CYCLE-SOLAR SERIES 5000

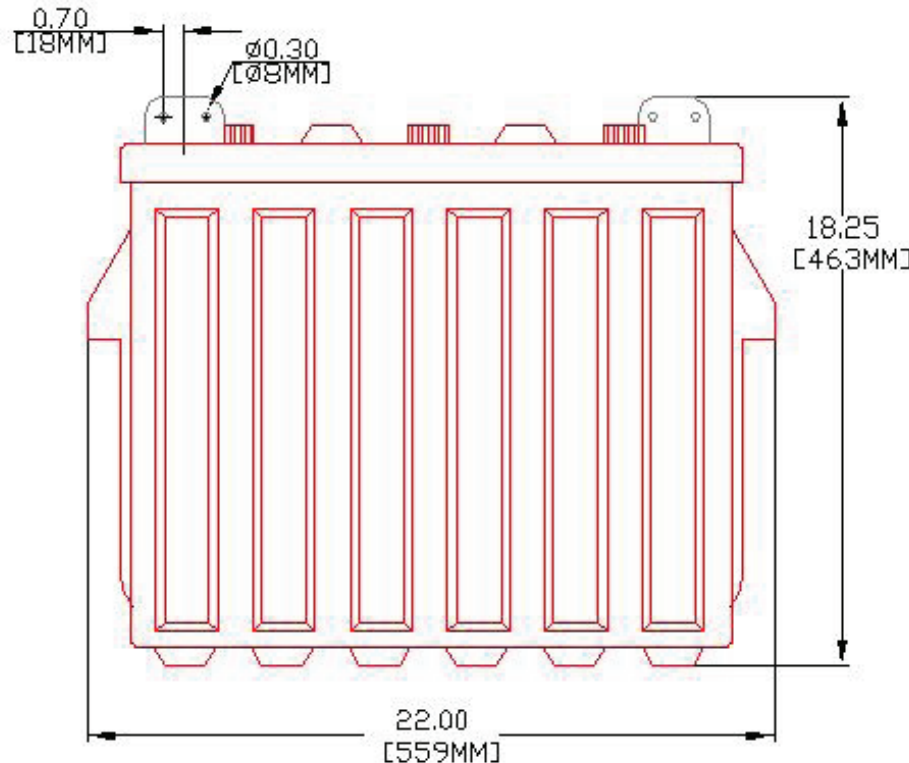
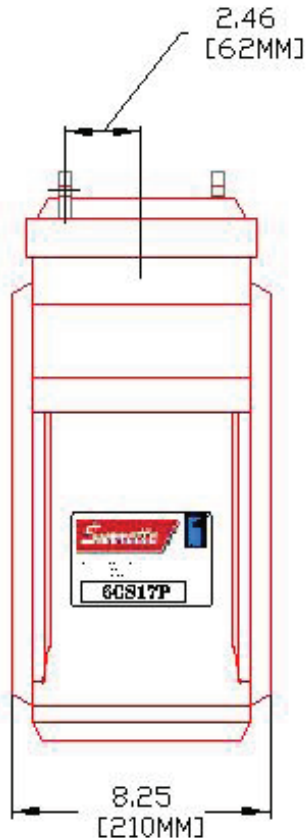
|                                     |  |               |   |
|-------------------------------------|--|---------------|---|
| <b>BATTERY TYPE</b>                 | <b>VOLTS</b>   | <b>6</b>      | <b>6 CS 17PS</b>                                      |
| <b>DIMENSIONS</b>                   |  |               |   |
| LENGTH                              |  |               | 559 MM 22 INCHES                                      |
| WIDTH                               |  |               | 210 MM 8 1/4 INCHES                                   |
| HEIGHT                              |  |               | 464 MM 18 1/4 INCHES                                  |
| <b>WEIGHT DRY</b>                   |  |               | 81 KG 178 LBS.  |
| <b>WEIGHT WET</b>                   |  |               | 100 KG 221 LBS.                                       |
| <b>CONTAINER CONSTRUCTION</b>       |  |               |   |
| INNER CONTAINER                     |  |               | POLYPROPYLENE   |
| INNER COVER                         |  |               | POLYPROPYLENE - HEAT SEALED TO INNER CONTAINER        |
| OUTER CONTAINER                     |  |               | HIGH DENSITY POLYETHYLENE                             |
| OUTER COVER                         |  |               | HIGH DENSITY POLYETHYLENE SNAP FIT TO OUTER CONTAINER |
| HANDLES                             |  |               | MOLDED  |
| <b>PLATES PER CELL</b>              |  |               | 17  |
| <b>ELECTROLYTE RESERVE</b>          | ABOVE PLATES   |               | 95 MM 3.75 INCHES                                     |
| <b>DESIGN CRITREA</b>               | 10 YEAR WARRANTY                                     | 3300          | CYCLES 15 YEAR LIFE                                   |
| <b>POSITIVE PLATE DIMENSION</b>     |  |               |   |
| HEIGHT                              |  |               | 273 MM 10.750 INCHES                                  |
| WIDTH                               |  |               | 143 MM 5.625 INCHES                                   |
| THICKNESS                           |  |               | 6.73 MM 0.265 INCHES                                  |
| <b>NEGATIVE PLATE DIMENSION</b>     |  |               |   |
| HEIGHT                              |  |               | 273 MM 10.750 INCHES                                  |
| WIDTH                               |  |               | 143 MM 5.625 INCHES                                   |
| THICKNESS                           |  |               | 4.70 MM 0.185 INCHES                                  |
| <b>SEPARATOR</b>                    | SEPARATOR THICKNESS                                  |               | 0.105 INCH  |
| <b>INSULATION</b>                   | POSITVE PLATE ENVELOPED BY VERTICAL SLYVER GLASS MAT |               |   |
| <b>TERMINALS</b>                    | FLAG WITH STAINLESS STEEL NUTS AND BOLTS             |               |   |
| <b>COLD CRANK</b>                   | CCA  | 0°F / -17.8°C | 1357  |
|                                     | MCA  | 32°F / 0°C    | 1696  |
|                                     | <b>RESERVE</b>                                       |               | 1083  |
|                                     | <b>MINUTES AT 25A</b>                                |               |   |
| <b>CAPACITY</b>                     | 20 HR RATE   | 546           |   |
|                                     |  |               | CAP / AH CURRENT / AMPS                               |
| CAPACITY AT THE 100 HOUR RATE       | 1.265 SP. GR.  |               | 770 7.70  |
| CAPACITY AT THE 72 HOUR RATE        | 1.265 SP. GR.  |               | 726 10.09   |
| CAPACITY AT THE 50 HOUR RATE        | 1.265 SP. GR.  |               | 672 13.43   |
| CAPACITY AT THE 24 HOUR RATE        | 1.265 SP. GR.  |               | 568 23.7  |
| <b>CAPACITY AT THE 20 HOUR RATE</b> | <b>1.265 SP. GR.</b>                                 |               | <b>546 27.3</b>                                       |
| CAPACITY AT THE 15 HOUR RATE        | 1.265 SP. GR.  |               | 508 33.9  |
| CAPACITY AT THE 12 HOUR RATE        | 1.265 SP. GR.  |               | 475 39.6  |
| CAPACITY AT THE 10 HOUR RATE        | 1.265 SP. GR.  |               | 453 45.3  |
| CAPACITY AT THE 8 HOUR RATE         | 1.265 SP. GR.  |               | 426 53.2  |
| CAPACITY AT THE 6 HOUR RATE         | 1.265 SP. GR.  |               | 388 64.6  |
| CAPACITY AT THE 5 HOUR RATE         | 1.265 SP. GR.  |               | 366 73  |
| CAPACITY AT THE 4 HOUR RATE         | 1.265 SP. GR.  |               | 339 85  |
| CAPACITY AT THE 3 HOUR RATE         | 1.265 SP. GR.  |               | 306 102   |
| CAPACITY AT THE 2 HOUR RATE         | 1.265 SP. GR.  |               | 262 131   |
| CAPACITY AT THE 1 HOUR RATE         | 1.265 SP. GR.  |               | 186 186   |



SURRETTE BATTERY CO. LTD.



PART NUMBER: 6-CS-17P  
WEIGHT WET: 221 LB / 100 KG  
WEIGHT DRY: 178 LB / 81 KG  
CAPACITY: 546 AH 20 HR  
770 AH 100 HR  
VOLTAGE: 6 V  
OVERALL DIMENSIONS: 22X8 1/4X18 1/4"  
MAX HEIGHT WITH OPTIONAL HYDROCAPS: 18 5/8" - 473 MM



|   |                             |
|---|-----------------------------|
| <b>Surrette</b>   |                             |
| BATTERY COMPANY LIMITED<br>SPRINGHILL / NOVA SCOTIA / CANADA<br>PRODUCT OF CANADA             |                             |
| TITLE:<br>6CS17P  |                             |
| DESCRIPTION:<br>6V / 3 CELL 17 PLATE (CS) DEEP CYCLE<br>500/5000 SERIES                       |                             |
| CONTACT INFO:<br>WEB: WWW.SURRETTE.COM<br>E-MAIL: SALES@SURRETTE.COM<br>PHONE: 1-800-681-9914 |                             |
| SCALE: 1" = 6" 3" = 4" JFED<br>8 1/2" X 11" 11" X 17" NOT TO SCALE                            |                             |
| Drawn by:<br>S. WILES   | Approved By:<br>D. SURRETTE |
| DATE: 14-JUN-00 REVISION 2.1  |                             |
| DRAWING NO: DWG 005, BD6CS17P   |                             |