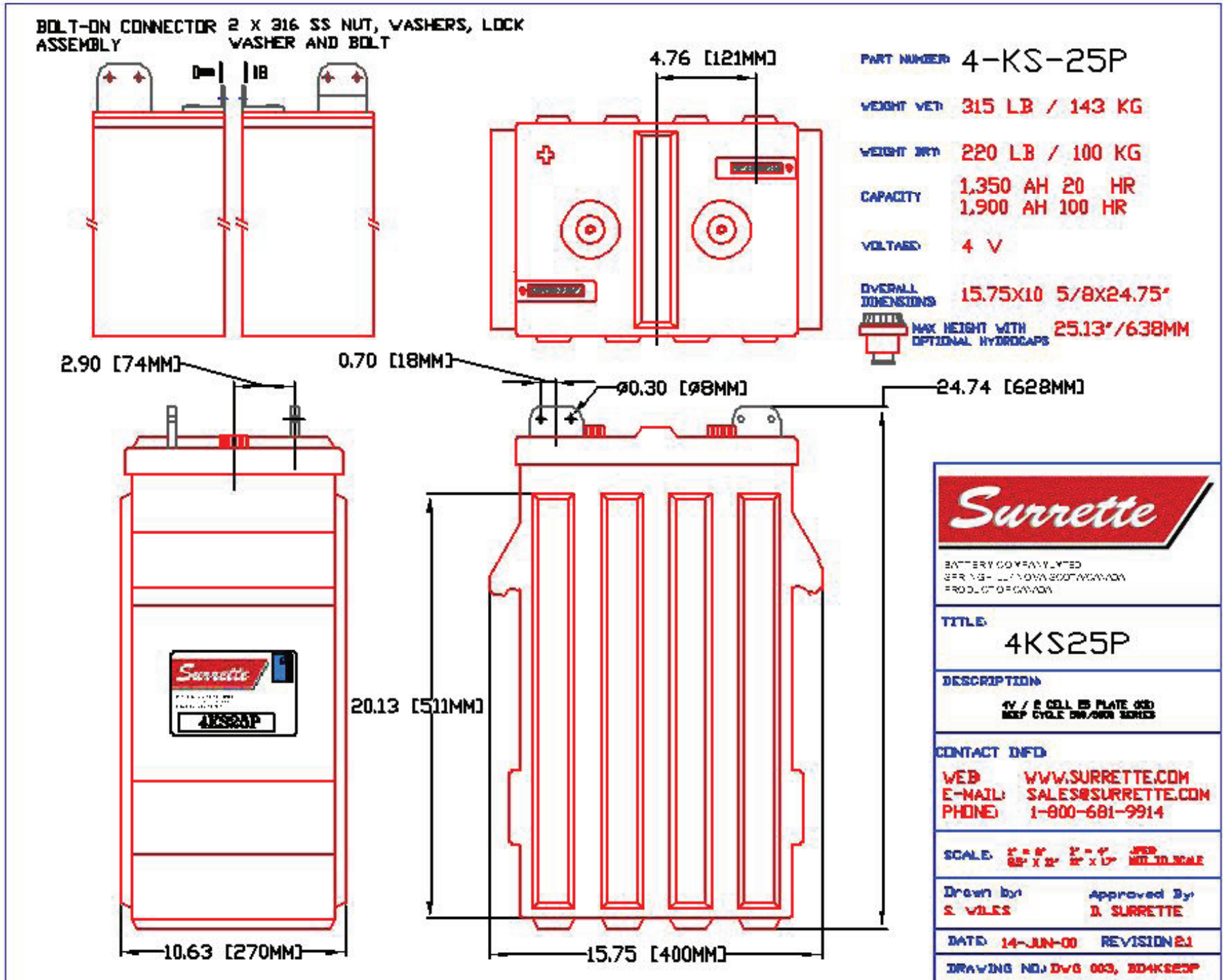




DEEP CYCLE-SOLAR SERIES 5000

BATTERY TYPE	VOLTS	4	4 KS 25PS
DIMENSIONS			
LENGTH	400 MM	15 3/4	INCHES
WIDTH	270 MM	10 5/8	INCHES
HEIGHT	629 MM	24 3/4	INCHES
WEIGHT DRY	100 KG	220	LBS.
WEIGHT WET	143 KG	315	LBS.
CONTAINER CONSTRUCTION			
INNER CONTAINER	POLYPROPYLENE		
INNER COVER	POLYPROPYLENE - HEAT SEALED TO INNER CONTAINER		
OUTER CONTAINER	HIGH DENSITY POLYETHYLENE		
OUTER COVER	HIGH DENSITY POLYETHYLENE SNAP FIT TO OUTER CONTAINER		
HANDLES	MOLDED		
PLATES PER CELL	25		
ELECTROLYTE RESERVE ABOVE PLATES	95 MM	3.75	INCHES
DESIGN CRITREA	10 YEAR WARRANTY	3300 CYCLES	15 YEAR LIFE
POSITIVE PLATE DIMENSION			
HEIGHT	432 MM	17.0	INCHES
WIDTH	143 MM	5.625	INCHES
THICKNESS	6.99 MM	0.275	INCHES
NEGATIVE PLATE DIMENSION			
HEIGHT	432 MM	17.0	INCHES
WIDTH	143 MM	5.625	INCHES
THICKNESS	4.57 MM	0.180	INCHES
SEPARATOR	SEPARATOR THICKNESS	0.105 INCH	
INSULATION	POSITIVE PLATE DOUBLE WRAPPED WITH SLYVER 0.020 HEAVY GLASS MAT AND ENVELOPED WITH HEAVY DUTY SEPARATOR		
TERMINALS	FLAG WITH STAINLESS STEEL NUTS AND BOLTS		
COLD CRANK	CCA	0°F / -17.8°C	3714
	MCA	32°F / 0°C	4643
	RESERVE		4290
	MINUTES AT 25A		
CAPACITY	20 HR RATE	1350	
		CAP / AH	CURRENT / AMPS
CAPACITY AT THE 100 HOUR RATE	1.265 SP. GR.	1904	19.04
CAPACITY AT THE 72 HOUR RATE	1.265 SP. GR.	1796	24.94
CAPACITY AT THE 50 HOUR RATE	1.265 SP. GR.	1661	33.21
CAPACITY AT THE 24 HOUR RATE	1.265 SP. GR.	1404	58.5
CAPACITY AT THE 20 HOUR RATE	1.265 SP. GR.	1350	67.5
CAPACITY AT THE 15 HOUR RATE	1.265 SP. GR.	1256	83.7
CAPACITY AT THE 12 HOUR RATE	1.265 SP. GR.	1175	97.9
CAPACITY AT THE 10 HOUR RATE	1.265 SP. GR.	1121	112.1
CAPACITY AT THE 8 HOUR RATE	1.265 SP. GR.	1053	131.6
CAPACITY AT THE 6 HOUR RATE	1.265 SP. GR.	959	159.8
CAPACITY AT THE 5 HOUR RATE	1.265 SP. GR.	905	181
CAPACITY AT THE 4 HOUR RATE	1.265 SP. GR.	837	209
CAPACITY AT THE 3 HOUR RATE	1.265 SP. GR.	756	252
CAPACITY AT THE 2 HOUR RATE	1.265 SP. GR.	648	324
CAPACITY AT THE 1 HOUR RATE	1.265 SP. GR.	459	459



Surrette	
<small>BATTERY COMPANY LIMITED SPRINGFIELD, MA 01104 PRODUCT OF CANADA</small>	
TITLE: 4KS25P	
DESCRIPTION: 4V / 2 CELL IS PLATE 030 HEAVY CYCLE DSW/0600 SERIES	
CONTACT INFO: WEB: WWW.SURRETTE.COM E-MAIL: SALES@SURRETTE.COM PHONE: 1-800-681-9914	
SCALE: 1" = 4" 2" = 8" 3" = 12" 4" = 16" <small>8 1/2" X 11" 8 1/2" X 14" 11" X 17" MULT. SCALE</small>	
Drawn by: S. VILES	Approved By: D. SURRETTE
DATE: 14-JUN-00 REVISION: 2/1	
DRAWING NO./DWG: 003, 304KS25P	